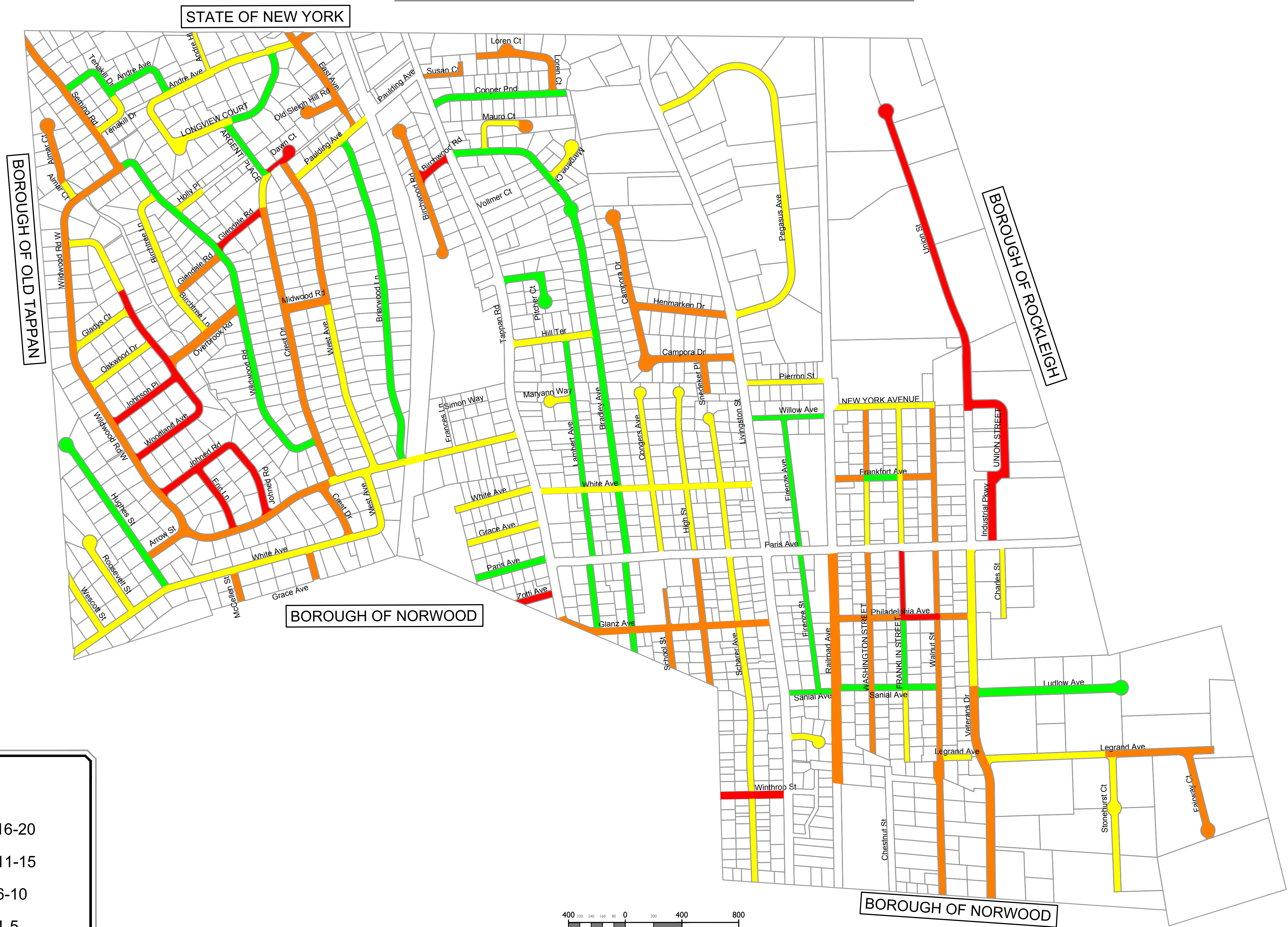
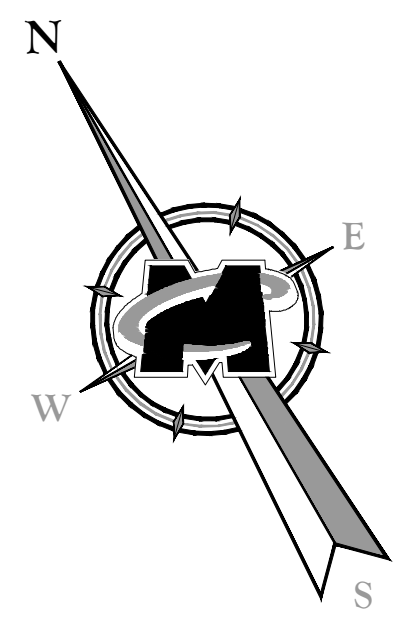
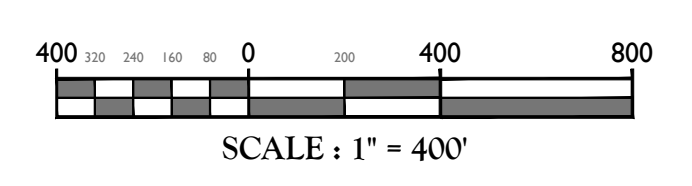


# NORTHVALE - ROAD RESURFACING MAP

## BOROUGH OF NORTHVALE



LEGEND	
Pavement Ratings	
<span style="color: green;">■</span>	Excellent Year 16-20
<span style="color: yellow;">■</span>	Good Year 11-15
<span style="color: orange;">■</span>	Fair Year 6-10
<span style="color: red;">■</span>	Poor Year 1-5



AUGUST 2016

**MASER**  
CONSULTING, P.A.

Customer Loyalty through Client Satisfaction  
www.maserconsulting.com

Engineers ■ Planners ■ Surveyors  
Landscape Architects ■ Environmental Scientists

Office Locations:

■ Red Bank, NJ	■ Albany, NY
■ Clinton, NJ	■ Chestnut Ridge, NY
■ Hamilton, NJ	■ Newburgh, NY
■ Marmora, NJ	■ Haworth, NY
■ Mt. Arlington, NJ	■ Bethlehem, PA
■ Mt. Laurel, NJ	■ Exton, PA
■ Sterling, VA	■ Tampa, FL
■ Albuquerque, NM	

State of N.J. Certificate of Authorization: 24GA27986500

Copyright © 2016, Maser Consulting, P.A. All Rights Reserved. This drawing and all the information contained herein is authorized for use only by the party for whom the services were completed or to whom it is issued. This drawing may not be copied, reprinted, disclosed, distributed or relied upon for any other purpose without the express written consent of Maser Consulting, P.A.

MC PROJECT NO. NVB-277